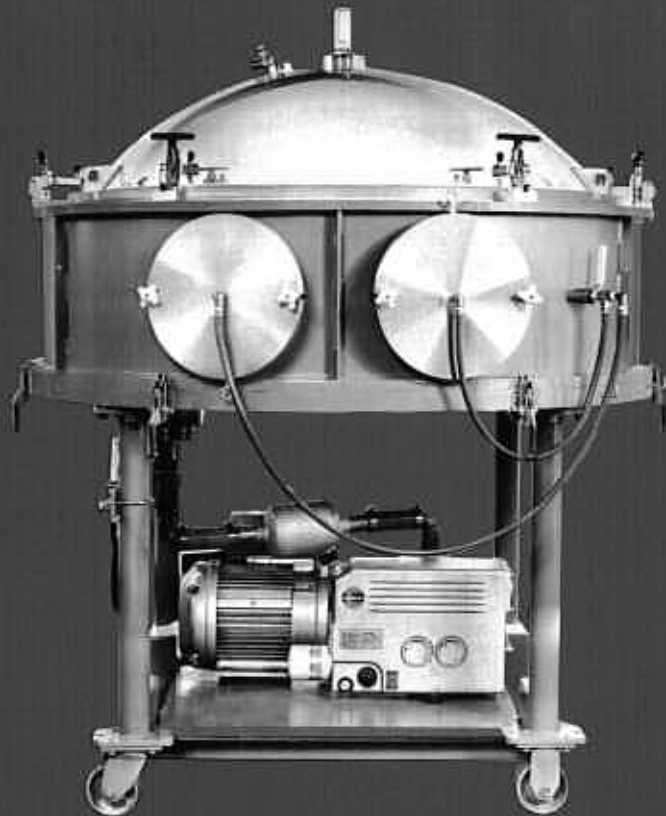


Inert Gas Atmosphere Welding Chambers



Jetline[®]
engineering, inc.



Standard Chambers

Jetline Chambers provide the ultimate in moisture free inert gas protection for the fusion joining of exotic metals.

The Argon atmosphere is quickly achieved and strictly controlled for this exacting technique of welding Titanium, Inconel, Zirconium, Tantalum and other refractory metals.

Plexiglass Dome

The uniquely designed dome affords excellent visibility with up to 30% more working area than round models. It is hinged and counterbalanced for quick and easy access to the interior. The heavy duty plexiglass positively screens out radiation.

Glove Ports

Two pair of glove ports are standard on all Jetline Chambers. Additional ports are available for special requirements.

Welding Apparatus Fittings

A special apparatus well contains penetration fittings for the torch, water and gas hoses, purge gas and 115V power input.

Plexiglass Risers

Additional working height is gained with Plexiglass Risers as shown on the models above. They are available in 12", 18" and 24" heights.

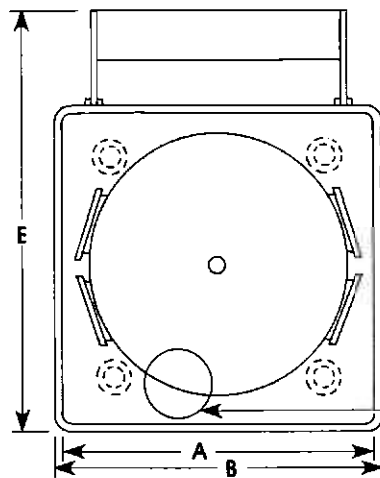
Weld Viewer

The eye protecting weld viewer is easily positioned to convenient viewing locations on the dome.

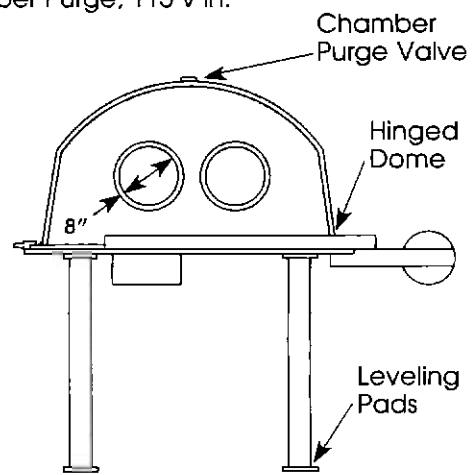
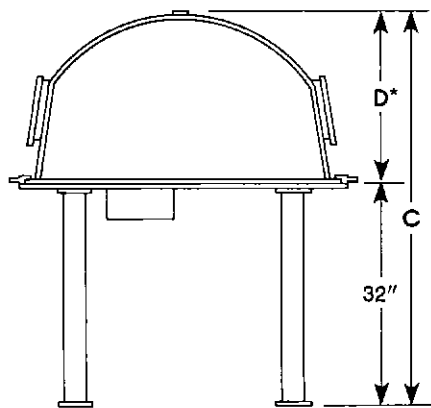
Equipment

All Jetline Chambers are equipped with a pressure regulator, flow meter and 10 feet of hose for interconnection to the Argon supply. A ground lug is also provided for attachment to power supply.

Welding Chamber Specs

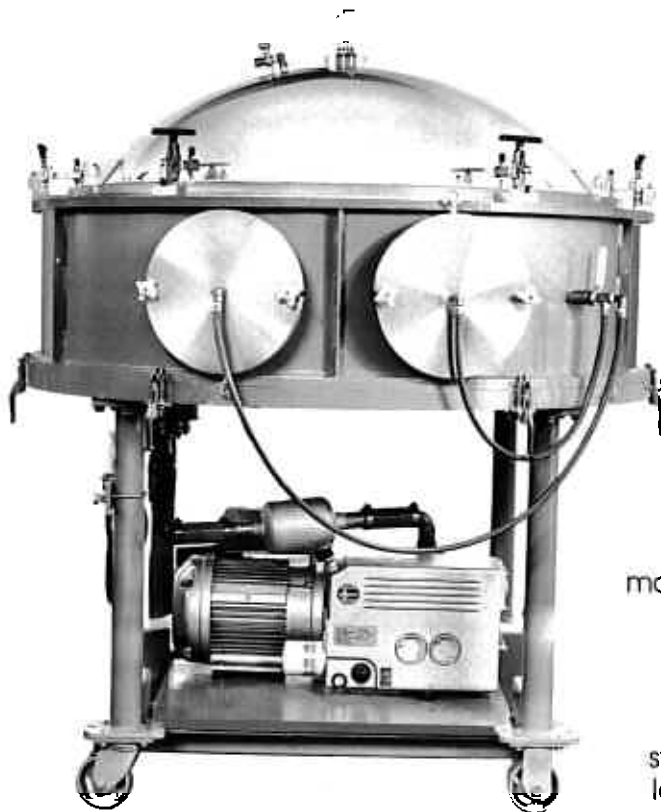


Apparatus Well
Includes: Torch Water
in and out, Torch Gas in,
Chamber Purge, 115 v in.



Model	Dimensions					Approx. Shipping Weight
	A	B	C	D*	E	
WC-36	36"	44"	51"	19"	65"	1,500#
WC-48	48"	56"	58"	25"	73"	1,900#
WC-60	60"	68"	63"	31"	84"	2,300#
WC-72	72"	80"	69"	37"	96"	2,700#

* May be increased as required by use of plexiglass riser.

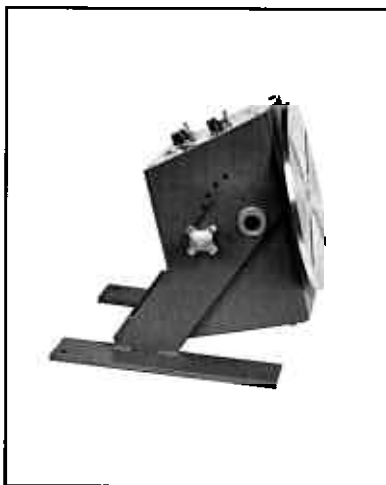


Vacuum Chambers

Welding atmospheres that meet the most exacting clean room requirements are achieved with Jetline's highly controlled Vacuum Chamber.

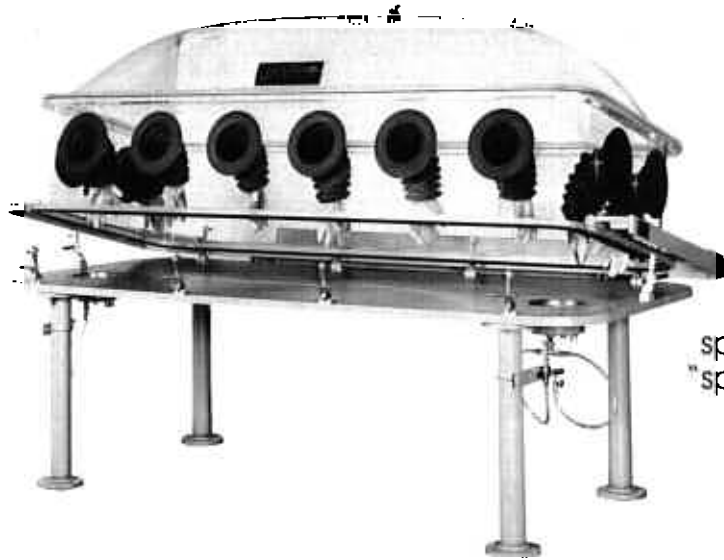
To obtain the proper state of dryness, the chamber is evacuated to a low state, then back-filled with Argon Gas, leaving it free from contaminants and "invisible" moisture. Faster purge time reduces labor and inert gas consumption which provides an economical answer to the ultimate in contamination-free welding.

Like all Jetline chambers, the Vacuum Chamber assures the welding operator excellent visibility and accessibility to the work.



Welding Positioner (ZB-200)

- 200 pounds capacity at 4" CG • 135° manual tilt, 15° pinlock indexing • Choice of .07-3.3 RPM or .2-10 RPM Table Rotation, Electronic DC Drive • Totally enclosed DC motor • Lubricated for use with chamber • 12" diameter faceplate, 4 tooling slots • 200 amps ground conduction • Run-stop foot switch (Variable speed foot control optional extra).



Special Chambers

Jetline designs many inert gas atmosphere chambers to meet special welding requirements. These "specials" include all the basic Jetline features in addition to those specifically designed for individual fabricating needs.

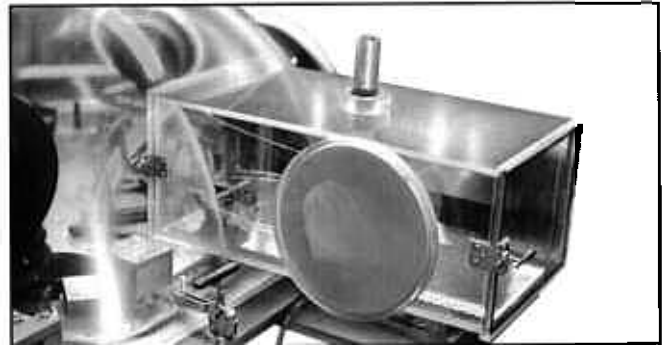
Chamber Gloves

Available in an accordion sleeve and glove combination (pictured), or light weight neoprene straight sleeve glove combination. Either type forms an integral leak proof unit with any welding chamber. Pairs of replaceable gloves may be ordered separately and in choice of hand size.



Gas Analyzer

Measures "trace" content of oxygen in an Argon atmosphere. If oxygen is present, it will combine with the heated tungsten element in the glass bulb to form a visible coating. Analyzer sensitivity is such that impurities of 7 parts per million can be detected. (Optional)



Entry Chamber

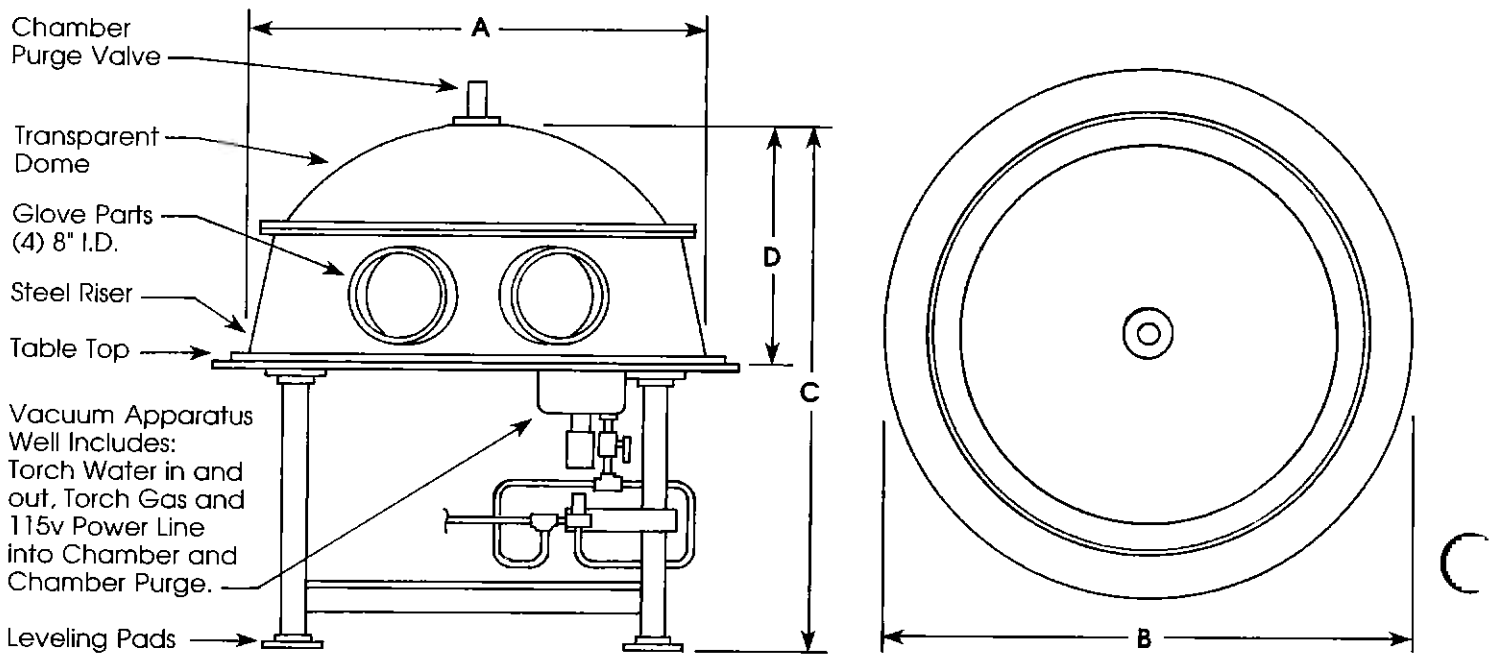
Attached to the chamber dome to provide a separate entrance with minimum gas atmosphere loss. It is equipped with hinged doors at each end of the vestibule and its own gas purging system. (Optional)

Casters

For complete mobility of the welding chamber, Jetline offers heavy duty 360° swivel casters as an optional feature. (Optional)



Vacuum Chamber Specs



The Vacuum Chamber consists of the following basic components:

1. A precisely machined circular steel work table.
2. A steel riser with vacuum glove port valve and glove ports as in integral part of the riser. All ports include accordion sleeved gloves and covers.
3. A transparent plexiglass heavy wall dome with exhaust.
4. The chamber includes a vacuum pump, inert gas back-fill valve, a sensitive vacuum gauge and inert gas flow-meter with pressure regulator.

Model	Dimensions				Approx. Shipping Weight
	A	B	C	D	
VC-36	36"	46"	60"	21"	1,100#
VC-48	48"	58"	62"	24"	2,100#
VC-60	60"	70"	64"	30"	3,100#
VC-72	72"	82"	66"	36"	5,100#

Distributed By:

Jetline[®]
engineering, inc.

15 Goodyear St. Irvine, California 92618
Tel: (949) 951-1515 Fax: (949) 951-9237
www.jetline.com

WC-11-99-5M (Replaces WC5-90)

The right to make engineering refinements on all products is reserved. Dimensions and specifications are subject to change.

Printed in U.S.A.